

**DIECI**



## **PEGASUS 360°**

**40.25 | 50.19 | 50.21 | 60.16**



**dieci.com**

## PERFORMANCE

Vehicle model	PEGASUS 40.25	PEGASUS 50.19	PEGASUS 50.21	PEGASUS 60.16
Maximum capacity	4000 kg (8818 lb)	5000 kg (11023 lb)	5000 kg (11023 lb)	6000 kg (13228 lb)
Maximum lifting height	24,10 m (79,1 ft)	18,70 m (61,4 ft)	20,50 m (67,3 ft)	15,70 m (51,5 ft)
Maximum horizontal extension	20,50 m (67,3 ft)	16,40 m (53,8 ft)	18,00 m (59,1 ft)	13,00 m (42,7 ft)
Fork swiveling angle	133°	133°	133°	133°
Pull-out force	5700 daN (12814 lbf)	5700 daN (12814 lbf)	5700 daN (12814 lbf)	5700 daN (12814 lbf)
Towing force	9400 daN (21132 lbf)	9400 daN (21132 lbf)	9400 daN (21132 lbf)	9000 daN (20233 lbf)
Maximum climb angle	40%	40%	40%	40%
Unladen weight	17500 kg (38581 lb)	16500 kg (36376 lb)	17540 kg (38669 lb)	16600 kg (36597 lb)
Max speed (referred to wheels with maximum permitted diameter)	40 km/h (24,9 mph)	40 km/h (24,9 mph)	40 km/h (24,9 mph)	40 km/h (24,9 mph)

## BOOM

Vehicle model	PEGASUS 40.25	PEGASUS 50.19	PEGASUS 50.21	PEGASUS 60.16
Lifting	21,9 s	21,9 s	21,9 s	24,8 s
Descent	13,8 s	13,8 s	13,8 s	16,5 s
Extension	44,4 s	27,8 s	31,2 s	24,7 s
Retraction	23,1 s	16,9 s	17,4 s	11,6 s
Forward swiveling	3,7 s	3,7 s	3,7 s	5,7 s
Reverse swiveling	2,3 s	2,3 s	2,3 s	2,5 s

## ENGINE

Vehicle model	PEGASUS 40.25	PEGASUS 50.19	PEGASUS 50.21	PEGASUS 60.16
Brand	FPT	FPT	FPT	FPT
Nominal power	104 kW (139 HP)	104 kW (139 HP)	104 kW (139 HP)	104 kW (139 HP)
@rpm	2200 rpm	2200 rpm	2200 rpm	2200 rpm
Peak power	107 kW (143 HP)	107 kW (143 HP)	107 kW (143 HP)	107 kW (143 HP)
@rpm	2000 rpm	2000 rpm	2000 rpm	2000 rpm
Operation	4-stroke	4-stroke	4-stroke	4-stroke
Injection	Electronic, Common Rail	Electronic, Common Rail	Electronic, Common Rail	Electronic, Common Rail
Number and arrangement of cylinders	4, Vertical in line	4, Vertical in line	4, Vertical in line	4, Vertical in line
Displacement	4485 cm <sup>3</sup> (274 in <sup>3</sup> )	4485 cm <sup>3</sup> (274 in <sup>3</sup> )	4485 cm <sup>3</sup> (274 in <sup>3</sup> )	4485 cm <sup>3</sup> (274 in <sup>3</sup> )
Emission standard	Stage IIIA/Tier 3	Stage IIIA/Tier 3	Stage IIIA/Tier 3	Stage IIIA/Tier 3
Cooling system	Liquid	Liquid	Liquid	Liquid
Intake	Turbo compressor 16 valve	Turbo compressor 16 valve	Turbo compressor 16 valve	Turbo compressor 16 valve

## DIFFERENTIAL AXLES

Vehicle model	PEGASUS 40.25	PEGASUS 50.19	PEGASUS 50.21	PEGASUS 60.16
Type of axles	2 steering, with 4 planetary reduction gears	2 steering, with 4 planetary reduction gears	2 steering, with 4 planetary reduction gears	2 steering, with 4 planetary reduction gears
Type of steering	4 wheels / transversal / 2 wheels	4 wheels / transversal / 2 wheels	4 wheels / transversal / 2 wheels	4 wheels / transversal / 2 wheels
Front axle	With transverse leveling device driven by the cab	With transverse leveling device driven by the cab	With transverse leveling device driven by the cab	With transverse leveling device driven by the cab
Rear axle	Swinging	Swinging	Swinging	Swinging
Service braking	Oil bath with servo brake on front and rear axle with double hydraulic system	Oil bath with servo brake on front and rear axle with double hydraulic system	Oil bath with servo brake on front and rear axle with double hydraulic system	Oil bath with servo brake on front and rear axle with double hydraulic system
Parking braking	Negative actuation with electrical control	Negative actuation with electrical control	Negative actuation with electrical control	Negative actuation with electrical control

## HYDRAULIC SYSTEM

Vehicle model	PEGASUS 40.25	PEGASUS 50.19	PEGASUS 50.21	PEGASUS 60.16
Hydraulic pump type	Gear pump for power steering and movements	Gear pump for power steering and movements	Gear pump for power steering and movements	Gear pump for power steering and movements
Hydraulic pump capacity	135 L/min (35,7 gal/min)	135 L/min (35,7 gal/min)	135 L/min (35,7 gal/min)	135 L/min (35,7 gal/min)
Max. operating pressure	23,0 MPa (3336 psi)	23,0 MPa (3336 psi)	23,0 MPa (3336 psi)	23,0 MPa (3336 psi)
Distributor control	Proportional 5in1 Joystick	Proportional 5in1 Joystick	Proportional 5in1 Joystick	Proportional 5in1 Joystick
Distributor type	Hydraulic in 5 sections with "Load Sensing" proportional electronic servo-control with "Flow Sharing", 5 simultaneous movements	Hydraulic in 5 sections with "Load Sensing" proportional electronic servo-control with "Flow Sharing", 5 simultaneous movements	Hydraulic in 5 sections with "Load Sensing" proportional electronic servo-control with "Flow Sharing", 5 simultaneous movements	Hydraulic in 5 sections with "Load Sensing" proportional electronic servo-control with "Flow Sharing", 5 simultaneous movements

## REFUELING

Vehicle model	PEGASUS 40.25	PEGASUS 50.19	PEGASUS 50.21	PEGASUS 60.16
Hydraulic system (total)	270,0 L (71,33 gal)	270,0 L (71,33 gal)	270,0 L (71,33 gal)	270,0 L (71,33 gal)
Fuel tank	180,0 L (47,55 gal)	180,0 L (47,55 gal)	180,0 L (47,55 gal)	180,0 L (47,55 gal)

## TRANSMISSION

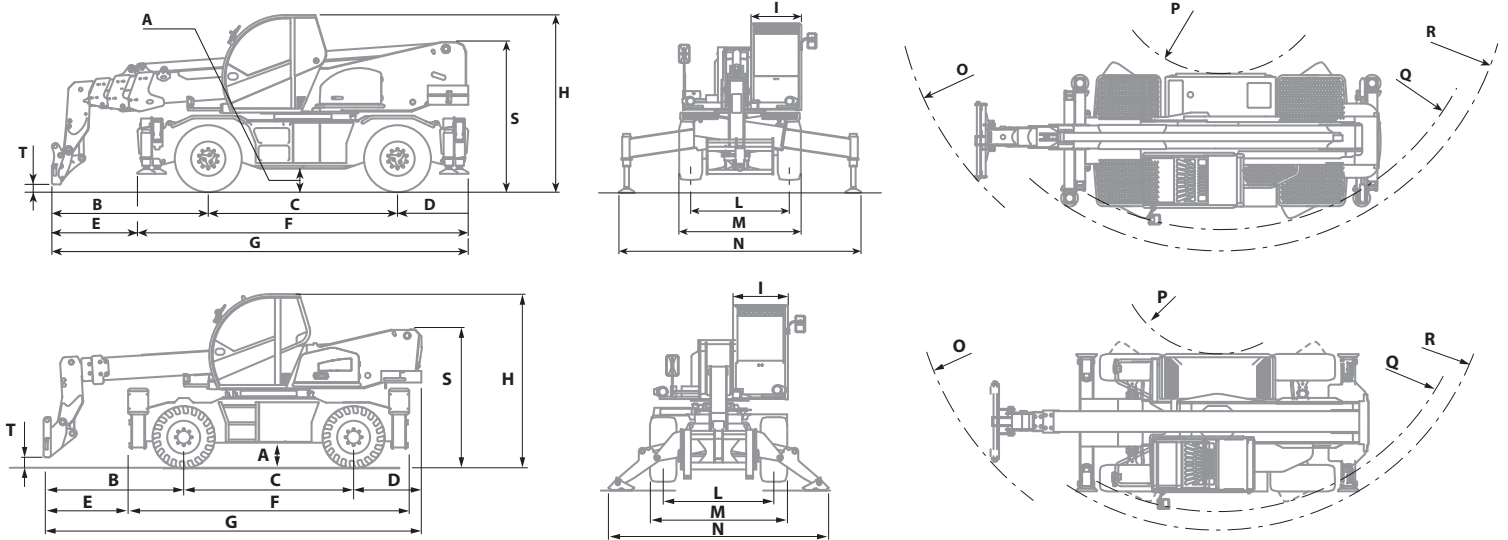
Vehicle model	PEGASUS 40.25	PEGASUS 50.19	PEGASUS 50.21	PEGASUS 60.16
Transmission type	Hydrostatic with variable flow pump	Hydrostatic with variable flow pump	Hydrostatic with variable flow pump	Hydrostatic with variable flow pump
Hydraulic motor	Hydrostatic with continuous automatic adjustment	Hydrostatic with continuous automatic adjustment	Hydrostatic with continuous automatic adjustment	Hydrostatic with continuous automatic adjustment
Reversal	Electrohydraulic	Electrohydraulic	Electrohydraulic	Electrohydraulic
Inching	With inching pedal for controlled forward movement	With inching pedal for controlled forward movement	With inching pedal for controlled forward movement	With inching pedal for controlled forward movement
Transmission gearbox	Servocontrolled 2-speed	Servocontrolled 2-speed	Servocontrolled 2-speed	Servocontrolled 2-speed

## TIRES

Vehicle model	PEGASUS 40.25	PEGASUS 50.19	PEGASUS 50.21	PEGASUS 60.16
Standard tires	18R22.5"	18R22.5"	18R22.5"	18R22.5"
Optional tires	18x22.5"	18x22.5"	18x22.5"	18x22.5"

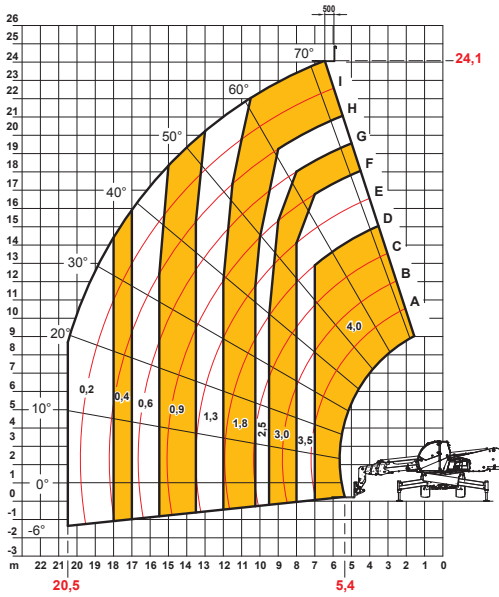
## DIMENSIONS

Vehicle model	PEGASUS 40.25	PEGASUS 50.19	PEGASUS 50.21	PEGASUS 60.16
A	360 mm (14,2 in)	360 mm (14,2 in)	360 mm (14,2 in)	360 mm (14,2 in)
B	3410 mm (134,3 in)	2660 mm (104,7 in)	2835 mm (111,6 in)	2580 mm (101,6 in)
C	2950 mm (116,1 in)	2950 mm (116,1 in)	2950 mm (116,1 in)	2950 mm (116,1 in)
D	1640 mm (64,6 in)	1150 mm (45,3 in)	1365 mm (53,7 in)	1190 mm (46,9 in)
E	2240 mm (88,2 in)	1510 mm (59,4 in)	1665 mm (65,6 in)	1580 mm (62,2 in)
F	5290 mm (208,3 in)	5290 mm (208,3 in)	5290 mm (208,3 in)	4940 mm (194,5 in)
G	8000 mm (315 in)	6800 mm (267,7 in)	7150 mm (281,5 in)	6720 mm (264,6 in)
H	3020 mm (118,9 in)	3020 mm (118,9 in)	3020 mm (118,9 in)	3020 mm (118,9 in)
I	980 mm (38,6 in)	980 mm (38,6 in)	980 mm (38,6 in)	980 mm (38,6 in)
L	1920 mm (75,6 in)	1920 mm (75,6 in)	1920 mm (75,6 in)	1920 mm (75,6 in)
M	2380 mm (93,7 in)	2380 mm (93,7 in)	2380 mm (93,7 in)	2380 mm (93,7 in)
N	5070 mm (199,6 in)	4800 mm (189 in)	5070 mm (199,6 in)	3820 mm (150,4 in)
O	6000 mm (236,2 in)	5450 mm (214,6 in)	5630 mm (221,7 in)	5380 mm (211,8 in)
P	1700 mm (66,9 in)	1700 mm (66,9 in)	1700 mm (66,9 in)	1700 mm (66,9 in)
Q	4430 mm (174,4 in)	4430 mm (174,4 in)	4430 mm (174,4 in)	4430 mm (174,4 in)
R	4790 mm (188,6 in)	4790 mm (188,6 in)	4790 mm (188,6 in)	4800 mm (189 in)
S	2651 mm (104,4 in)	2556 mm (100,6 in)	2556 mm (100,6 in)	2604 mm (102,5 in)
T	85 mm (3,3 in)	150 mm (5,9 in)	119 mm (4,7 in)	111 mm (4,4 in)



MAX 4,0 t

500 mm



AXBI541/I

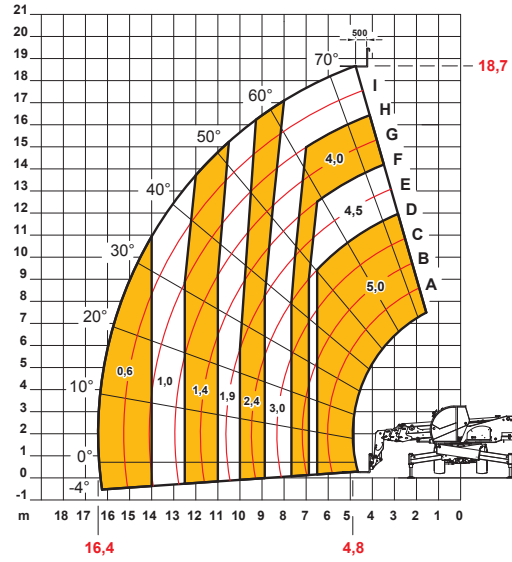


EN1459

40.25

MAX 5,0 t

500 mm



AXBI539-I

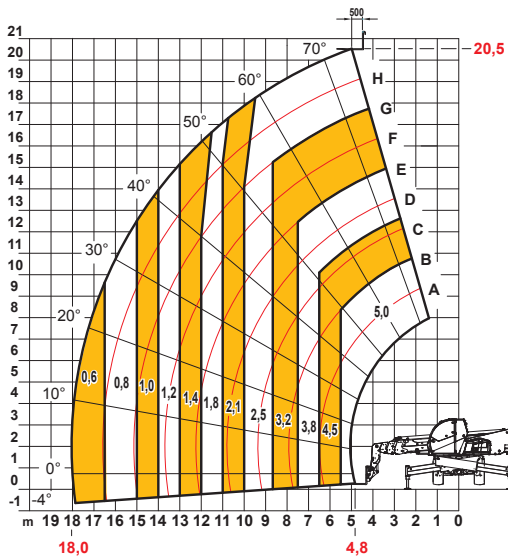


EN1459

50.19

MAX 5,0 t

500 mm



AXBI540/I

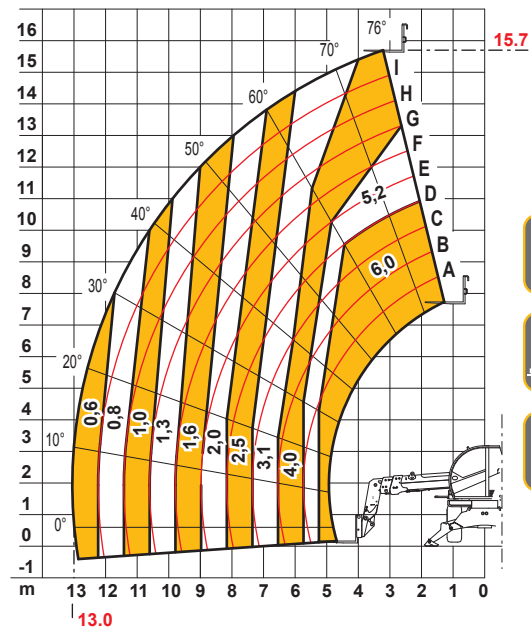


EN1459

50.21

MAX 6,0 t

600 mm



AXBI392/I



EN1459

60.16