



# DIECI



# ZEUS GD



40.7

38.8

38.10

## PERFORMANCE

Vehicle model	ZEUS 40.7 - GD	ZEUS 38.8 - GD	ZEUS 38.10 - GD
Maximum capacity	4000 kg (8818 lb)	3800 kg (8378 lb)	3800 kg (8378 lb)
Maximum lifting height	7,2 m (23,6 ft)	7,6 m (24,9 ft)	9,6 m (31,5 ft)
Maximum horizontal extension	4,0 m (13,1 ft)	4,4 m (14,4 ft)	6,2 m (20,3 ft)
Fork swiveling angle	146°	146°	146°
Pull-out force	5700 daN (12814 lbf)	5700 daN (12814 lbf)	5700 daN (12814 lbf)
Towing force	5600 daN (12589 lbf)	5600 daN (12589 lbf)	5600 daN (12589 lbf)
Maximum climb angle	45%	45%	45%
Unladen weight	8000 kg (17637 lb)	8300 kg (18298 lb)	8550 kg (18850 lb)
Max speed (referred to wheels with maximum permitted diameter)	32 km/h (19,9 mph)	32 km/h (19,9 mph)	32 km/h (19,9 mph)

## BOOM

Vehicle model	ZEUS 40.7 - GD	ZEUS 38.8 - GD	ZEUS 38.10 - GD
Lifting	7,7 s	7,0 s	9,5 s
Descent	4,0 s	3,7 s	5,6 s
Extension	6,0 s	6,3 s	8,7 s
Retraction	3,3 s	3,5 s	5,0 s
Forward swiveling	3,1 s	3,1 s	3,1 s
Reverse swiveling	1,8 s	1,8 s	1,8 s

## ENGINE

Vehicle model	ZEUS 40.7 - GD	ZEUS 38.8 - GD	ZEUS 38.10 - GD
Brand	Kubota	Kubota	Kubota
Nominal power	55,4 kW (74 HP)	55,4 kW (74 HP)	55,4 kW (74 HP)
@rpm	2600 rpm	2600 rpm	2600 rpm
Operation	4-stroke	4-stroke	4-stroke
Injection	Electronic, Common rail	Electronic, Common rail	Electronic, Common rail
Number and arrangement of cylinders	4, Vertical in line	4, Vertical in line	4, Vertical in line
Displacement	3331 cm <sup>3</sup> (203 in <sup>3</sup> )	3331 cm <sup>3</sup> (203 in <sup>3</sup> )	3331 cm <sup>3</sup> (203 in <sup>3</sup> )
Consumption	231 g/kWh (380 lb/Hp h)	231 g/kWh (380 lb/Hp h)	231 g/kWh (380 lb/Hp h)
Emission standard	Stage V/Tier 4f	Stage V/Tier 4f	Stage V/Tier 4f
Exhaust gas treatment	DOC+SCR	DOC+SCR	DOC+SCR
Cooling system	Liquid	Liquid	Liquid
Intake	Turbocharger after-cooler	Turbocharger after-cooler	Turbocharger after-cooler

## DIFFERENTIAL AXLES

Vehicle model	ZEUS 40.7 - GD	ZEUS 38.8 - GD	ZEUS 38.10 - GD
Type of axles	2 steering, with 4 epicycloidal reduction gears	2 steering, with 4 epicycloidal reduction gears	2 steering, with 4 epicycloidal reduction gears
Type of steering	4 wheels / transversal / 2 wheels	4 wheels / transversal / 2 wheels	4 wheels / transversal / 2 wheels
Front axle	Rigid (OPT leveling.)	Rigid (OPT leveling.)	Rigid (OPT leveling.)
Rear axle	Swinging	Swinging	Swinging
Service braking	Oil bath with servo brake on front axle with double hydraulic system	Oil bath with servo brake on front axle with double hydraulic system	Oil bath with servo brake on front axle with double hydraulic system
Parking braking	Negative actuation with electronic control	Negative actuation with electronic control	Negative actuation with electronic control

## HYDRAULIC SYSTEM

Vehicle model	ZEUS 40.7 - GD	ZEUS 38.8 - GD	ZEUS 38.10 - GD
Hydraulic pump type	No. 1 LS piston pump for power-steering and boom movements. No. 1 gear pump for and Fan Drive.	No. 1 LS piston pump for power-steering and boom movements. No. 1 gear pump for and Fan Drive.	No. 1 LS piston pump for power-steering and boom movements. No. 1 gear pump for and Fan Drive.
Hydraulic pump capacity	160 L/min (42,3 gal/min)	160 L/min (42,3 gal/min)	160 L/min (42,3 gal/min)
Max. operating pressure	25,5 MPa (3698 psi)	25,5 MPa (3698 psi)	25,5 MPa (3698 psi)
Distributor control	4 in 1 proportional Joystick with FNR	4 in 1 proportional Joystick with FNR	4 in 1 proportional Joystick with FNR
Outriggers	No	No	No

## REFUELING

Vehicle model	ZEUS 40.7 - GD	ZEUS 38.8 - GD	ZEUS 38.10 - GD
Hydraulic system (total)	140,0 L (36,98 gal)	140,0 L (36,98 gal)	140,0 L (36,98 gal)
Fuel tank	175 L (46,23 gal)	175 L (46,23 gal)	175 L (46,23 gal)

## TRANSMISSION

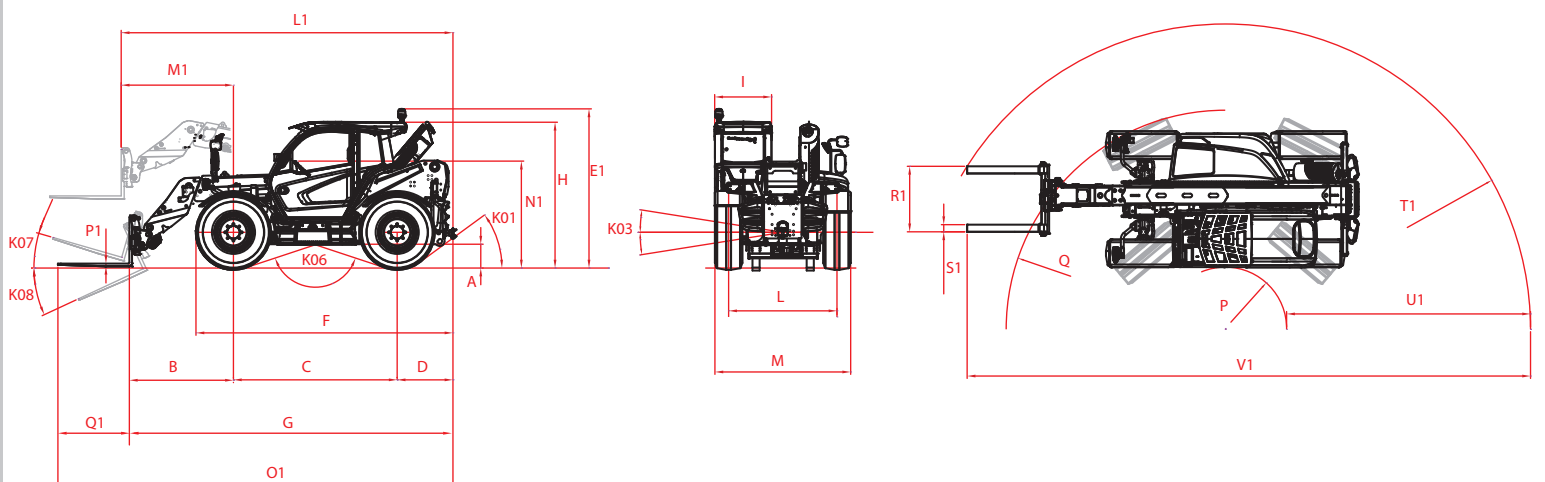
Vehicle model	ZEUS 40.7 - GD	ZEUS 38.8 - GD	ZEUS 38.10 - GD
Transmission type	Hydrostatic with variable displacement pump and ECO function	Hydrostatic with variable displacement pump and ECO function	Hydrostatic with variable displacement pump and ECO function
Hydraulic motor	Hydrostatic with continuous automatic adjustment	Hydrostatic with continuous automatic adjustment	Hydrostatic with continuous automatic adjustment
Reversal	With electronic control operated with vehicle in motion	With electronic control operated with vehicle in motion	With electronic control operated with vehicle in motion
Inching	With electronic pedal for controlled forward movement	With electronic pedal for controlled forward movement	With electronic pedal for controlled forward movement

## TIRES

Vehicle model	ZEUS 40.7 - GD	ZEUS 38.8 - GD	ZEUS 38.10 - GD
Standard tires	400/70-24" (16/70-24)"	400/70-24" (16/70-24)"	400/70-24" (16/70-24)"
Optional tires	18-22.5";445/65 (18 R22.5)	18-22.5";445/65 (18 R22.5)	18-22.5";445/65 (18 R22.5)

## DIMENSIONS

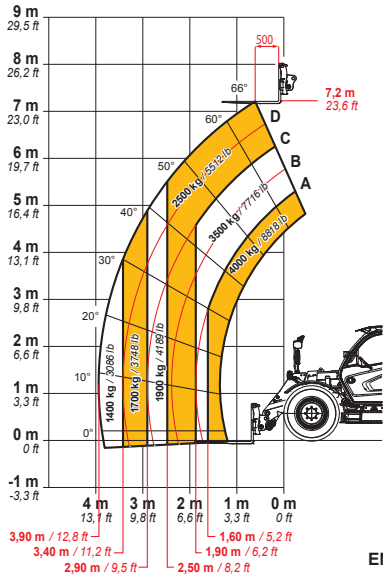
Vehicle model	ZEUS 40.7 - GD	ZEUS 38.8 - GD	ZEUS 38.10 - GD
A	360 mm (14,2 in)	360 mm (14,2 in)	360 mm (14,2 in)
B	1283 mm (50,5 in)	1748 mm (68,8 in)	1307 mm (51,5 in)
C	2750 mm (108,3 in)	2750 mm (108,3 in)	2750 mm (108,3 in)
D	870 mm (34,3 in)	870 mm (34,3 in)	870 mm (34,3 in)
E1	2640 mm (103,9 in)	2640 mm (103,9 in)	2640 mm (103,9 in)
F	4200 mm (165,4 in)	4200 mm (165,4 in)	4200 mm (165,4 in)
G	4900 mm (192,9 in)	5340 mm (210,2 in)	4920 mm (193,7 in)
H	2420 mm (95,3 in)	2420 mm (95,3 in)	2420 mm (95,3 in)
I	960 mm (37,8 in)	960 mm (37,8 in)	960 mm (37,8 in)
K01	32°	32°	32°
K03	9°	9°	9°
K06	150°	150°	150°
K07	16°	16°	16°
K08	131°	131°	131°
L	1870 mm (73,6 in)	1870 mm (73,6 in)	1870 mm (73,6 in)
L1	5070 mm (199,6 in)	5500 mm (216,5 in)	5085 mm (200,2 in)
M	2290 mm (90,2 in)	2290 mm (90,2 in)	2290 mm (90,2 in)
M1	1453 mm (57,2 in)	1885 mm (74,2 in)	1472 mm (58 in)
N1	1755 mm (69,1 in)	1755 mm (69,1 in)	1755 mm (69,1 in)
O1	6100 mm (240,2 in)	6635 mm (261,2 in)	6195 mm (243,9 in)
P	1030 mm (40,6 in)	1030 mm (40,6 in)	1030 mm (40,6 in)
Q	3665 mm (144,3 in)	3665 mm (144,3 in)	3665 mm (144,3 in)
R1	1100 mm (43,3 in)	1100 mm (43,3 in)	1100 mm (43,3 in)
S1	120 mm (4,7 in)	120 mm (4,7 in)	120 mm (4,7 in)
T1	4691 mm (184,7 in)	5127 mm (201,9 in)	4759 mm (187,4 in)
U1	3706 mm (145,9 in)	4097 mm (161,3 in)	3729 mm (146,8 in)
V1	8599 mm (338,5 in)	9463 mm (372,6 in)	8655 mm (340,7 in)
P1	45 mm (1,8 in)	45 mm (1,8 in)	45 mm (1,8 in)
Q1	1200 mm (47,2 in)	1200 mm (47,2 in)	1200 mm (47,2 in)



**MAX**  
4000 kg / 8818 lb



DOC10000835



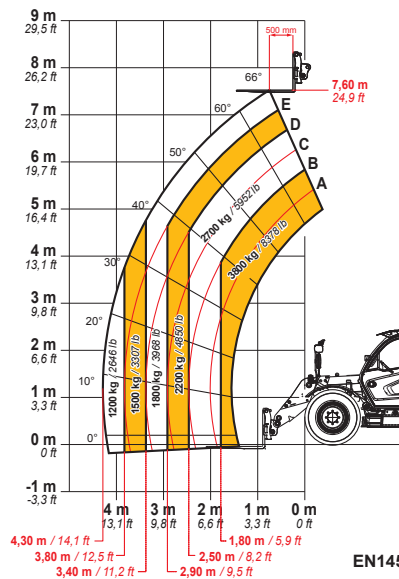
EN1459 Annex-B

40.7

**MAX**  
3800 kg / 8378 lb



DOC10000836



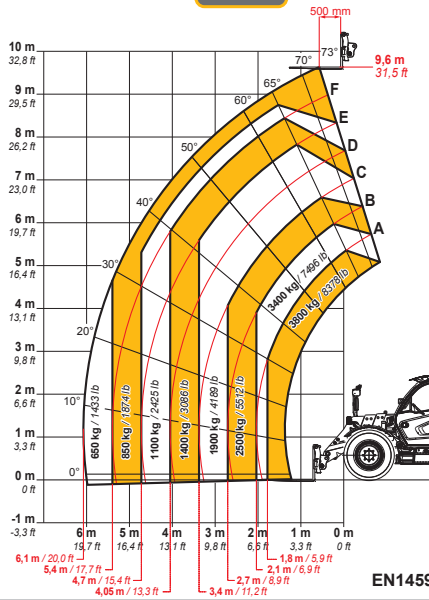
EN1459 Annex-B

38.8

**MAX**  
3800 kg / 8378 lb



DOC10000837



EN1459 Annex-B

38.10