



DIECI



T 40

T 50

T 60

T 70

T 80

T 90

PIVOT

PERFORMANCE						
Vehicle model	PIVOT T40	PIVOT T50	PIVOT T60	PIVOT T70	PIVOT T80	PIVOT T90
Operating weight with standard bucket and quick coupling	4950 kg (10913 lb)	6020 kg (13272 lb)	6020 kg (13272 lb)	7150 kg (15763 lb)	8000 kg (17637 lb)	9800 kg (21605 lb)
Standard bucket capacity	0,75 m ³ (26 ft ³)	0,85 m ³ (30 ft ³)	0,85 m ³ (30 ft ³)	1,10 m ³ (39 ft ³)	1,20 m ³ (42 ft ³)	1,25 m ³ (44 ft ³)
Pull-out force	4075 daN (9161 lbf)	4800 daN (10791 lbf)	4800 daN (10791 lbf)	6000 daN (13489 lbf)	6700 daN (15062 lbf)	7470 daN (16793 lbf)
Towing force	3400 daN (7644 lbf)	4600 daN (10341 lbf)	5700 daN (12814 lbf)	6000 daN (13489 lbf)	6500 daN (14613 lbf)	8450 daN (18996 lbf)
Maximum climb angle	60%	70%	80%	70%	60%	80%
Max speed (referred to wheels with maximum permitted diameter)	22 km/h (13,7 mph)	30 km/h (18,6 mph)	40 km/h (24,9 mph)	40 km/h (24,9 mph)	36 km/h (22,4 mph)	40 km/h (24,9 mph)
Retracted in line tipping load	3600 kg (7937 lb)	4050 kg (8929 lb)	4050 kg (8929 lb)	4800 kg (10582 lb)	6100 kg (13448 lb)	6100 kg (13448 lb)
Retracted articulated tipping load	3200 kg (7055 lb)	3575 kg (7882 lb)	3575 kg (7882 lb)	4250 kg (9370 lb)	5400 kg (11905 lb)	5400 kg (11905 lb)
Extended in line tipping load	2100 kg (4630 lb)	2350 kg (5181 lb)	2350 kg (5181 lb)	2500 kg (5512 lb)	3200 kg (7055 lb)	3250 kg (7165 lb)
Extended articulated tipping load	1850 kg (4079 lb)	2050 kg (4519 lb)	2050 kg (4519 lb)	2350 kg (5181 lb)	2800 kg (6173 lb)	2900 kg (6393 lb)
Operating load EN474.3 (80%) retracted	1800 kg (3968 lb)	2250 kg (4960 lb)	2250 kg (4960 lb)	3000 kg (6614 lb)	3500 kg (7716 lb)	4100 kg (9039 lb)
Operating load EN474.3 (60%) retracted	1350 kg (2976 lb)	1700 kg (3748 lb)	1700 kg (3748 lb)	2300 kg (5071 lb)	2600 kg (5732 lb)	3050 kg (6724 lb)
Operating load EN474.3 (80%) extended	1250 kg (2756 lb)	1400 kg (3086 lb)	1400 kg (3086 lb)	1650 kg (3638 lb)	1800 kg (3968 lb)	2000 kg (4409 lb)
Operating load EN474.3 (60%) extended	950 kg (2094 lb)	1050 kg (2315 lb)	1050 kg (2315 lb)	1300 kg (2866 lb)	1400 kg (3086 lb)	1500 kg (3307 lb)

BOOM						
Vehicle model	PIVOT T40	PIVOT T50	PIVOT T60	PIVOT T70	PIVOT T80	PIVOT T90
Lifting	7,3 s	5,2 s	5,2 s	5,3 s	5,3 s	8,23 s
Descent	3,8 s	2,8 s	2,8 s	3,0 s	3,0 s	5,01 s
Extension	2,5 s	2,4 s	2,4 s	2,3 s	3,2 s	3,49 s
Retraction	1,4 s	1,3 s	1,3 s	1,2 s	1,8 s	2,42 s
Forward swiveling	2,2 s	1,8 s	1,8 s	2,1 s	2,4 s	2,08 s
Reverse swiveling	1,6 s	1,3 s	1,3 s	1,3 s	1,6 s	1,41 s

ENGINE						
Vehicle model	PIVOT T40	PIVOT T50	PIVOT T60	PIVOT T70	PIVOT T80	PIVOT T90
Brand	Kubota	Kubota	Kubota	Kubota	FPT	FPT
Nominal power @rpm	36,5 kW (49 HP) 2700 rpm	54,6 kW (73 HP) 2600 rpm	54,6 kW (73 HP) 2600 rpm	83,5 kW (112 HP) 2600 rpm	96 kW (129 HP) 2200 rpm	103 kW (138 HP) 2200 rpm
Operation	4-stroke	4-stroke	4-stroke	4-stroke	4-stroke	4-stroke
Injection	Mechanical	Electronic, Common rail	Electronic, Common rail	Electronic, Common Rail	Electronic, Common Rail	Electronic, Common Rail
Number and arrangement of cylinders	4, Vertical in line	4, Vertical in line	4, Vertical in line	4, Vertical in line	4, Vertical in line	4, Vertical in line
Displacement	2615 cm ³ (160 in ³)	3331 cm ³ (203 in ³)	3331 cm ³ (203 in ³)	3769 cm ³ (230 in ³)	4485 cm ³ (274 in ³)	4485 cm ³ (274 in ³)
Intake	Natural	Turbo compressor	Turbo compressor	Turbocharger after-cooler	16-valve turbo compressor, aftercooler	16-valve turbo compressor, aftercooler
Cooling system	Liquid	Liquid	Liquid	Liquid	Liquid	Liquid
Emission standard	Stage IIIA/Tier 3	Directive EC 2000/14 - Stage V/Tier 4f	Directive EC 2000/14 - Stage V/Tier 4f	Stage IIIB/Tier 4i	Stage IV/Tier 4f	Stage IV/Tier 4f

DIFFERENTIAL AXLES AND STEERING WHEEL						
Vehicle model	PIVOT T40	PIVOT T50	PIVOT T60	PIVOT T70	PIVOT T80	PIVOT T90
Type of axles	2 rigid, with 4 planetary reduction gears	2 rigid, with 4 planetary reduction gears	2 rigid, with 4 planetary reduction gears	2 rigid, with 4 planetary reduction gears	2 rigid, with 4 planetary reduction gears	2 rigid, with 4 planetary reduction gears
Type of steering	With articulated chassis with a total angle of 80°, servo-assisted by power steering (Load Sensing)	With articulated chassis with a total angle of 80°, servo-assisted by power steering (Load Sensing)	With articulated chassis with a total angle of 80°, servo-assisted by power steering (Load Sensing)	With articulated chassis with a total angle of 80°, servo-assisted by power steering (Load Sensing)	With articulated chassis with a total angle of 80°, servo-assisted by power steering (Load Sensing)	With articulated chassis with a total angle of 80°, servo-assisted by power steering (Load Sensing)
Front axle	Rigid, self-locking	Rigid, self-locking	Rigid, self-locking	Rigid, self-locking	Rigid, self-locking	Rigid, self-locking
Rear axle	Swinging with 25° total stroke	Swinging with 25° total stroke	Swinging with 25° total stroke	Swinging with 25° total stroke	Swinging with 25° total stroke	Swinging with 25° total stroke
Service braking	Oil bath with servo brake on front axle	Oil bath on front and rear axles on servo brake	Oil bath on front and rear axles with servo brake	Oil bath with servo brake on front axle	Oil bath with servo brake on front and rear axles	Oil bath with servo brake on front and rear axle
Parking braking	Negative actuation with electrical control	With negative action on both axles	Negative action parking brake on both axles	Negative actuation with electrical control	Negative action parking brake on front axles	Negative actuation with electrical control on front axle

REFUELING						
Vehicle model	PIVOT T40	PIVOT T50	PIVOT T60	PIVOT T70	PIVOT T80	PIVOT T90
Hydraulic system (total)	70,0 L (18,49 gal)	80,0 L (21,13 gal)	80,0 L (21,13 gal)	110,0 L (29,06 gal)	120,0 L (31,7 gal)	170,0 L (44,91 gal)
Fuel tank	75,0 L (19,81 gal)	100,0 L (26,42 gal)	100,0 L (26,42 gal)	140,0 L (36,98 gal)	140,0 L (36,98 gal)	140,0 L (36,98 gal)
AdBlue tank	-	-	-	-	27,00 L (7,13 gal)	27,0 L (7,13 gal)

HYDRAULIC SYSTEM						
Vehicle model	PIVOT T40	PIVOT T50	PIVOT T60	PIVOT T70	PIVOT T80	PIVOT T90
Hydraulic pump type	Gear pump for power steering and movements	Gear pump for power steering and movements	Gear pump for power steering and movements	Gear pump for power steering and movements	Gear pump for power steering and movements	Piston pump with variable displacement for power steering and movements.
Hydraulic pump capacity	65 L/min (17,2 gal/min)	101 L/min (26,7 gal/min)	101 L/min (26,7 gal/min)	114 L/min (30,1 gal/min)	114 L/min (30,1 gal/min)	150 L/min (39,6 gal/min)
Max. operating pressure	25,0 MPa (3626 psi)	23,0 MPa (3336 psi)	23,0 MPa (3336 psi)	25,0 MPa (3626 psi)	25,0 MPa (3626 psi)	26,0 MPa (3771 psi)

TRANSMISSION

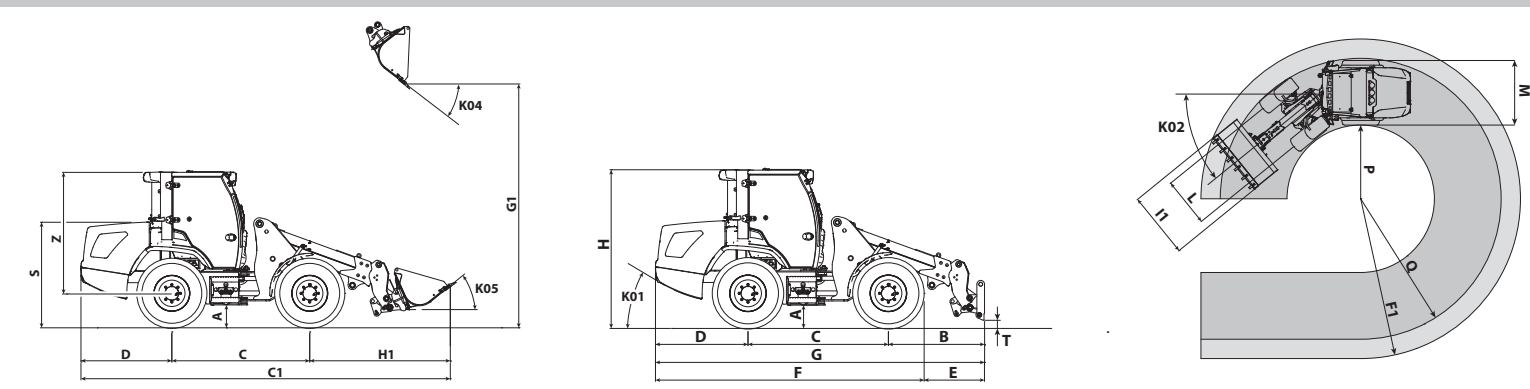
Vehicle model	PIVOT T40	PIVOT T50	PIVOT T60	PIVOT T70	PIVOT T80	PIVOT T90
Transmission type	Hydrostatic with variable displacement pump	Hydrostatic with variable displacement pump	Hydrostatic with variable displacement pump	Hydrostatic with variable displacement pump	Single speed Hydrostatic transmission with variable displacement pump	Hydrostatic Vario System EVO2 electronically controlled with 2 hydrostatic motors with continuous automatic adjustment
Hydraulic motor	Hydrostatic with continuous automatic adjustment	Hydrostatic with continuous automatic adjustment	Hydrostatic with continuous automatic adjustment	Hydrostatic with continuous automatic adjustment	Hydrostatic with continuous automatic adjustment	-
Transmission gearbox	Single speed Dropbox	Single speed Dropbox	Servo-controlled 2-speed	Servo-controlled 2-speed	Single speed Dropbox	-
Inching	With hydraulic pedal for controlled forward movement	With hydraulic pedal for controlled forward movement	With hydraulic pedal for controlled forward movement	With hydraulic pedal for controlled forward movement	Pedal inching for controlled forward movement	With electronic pedal for controlled forward movement

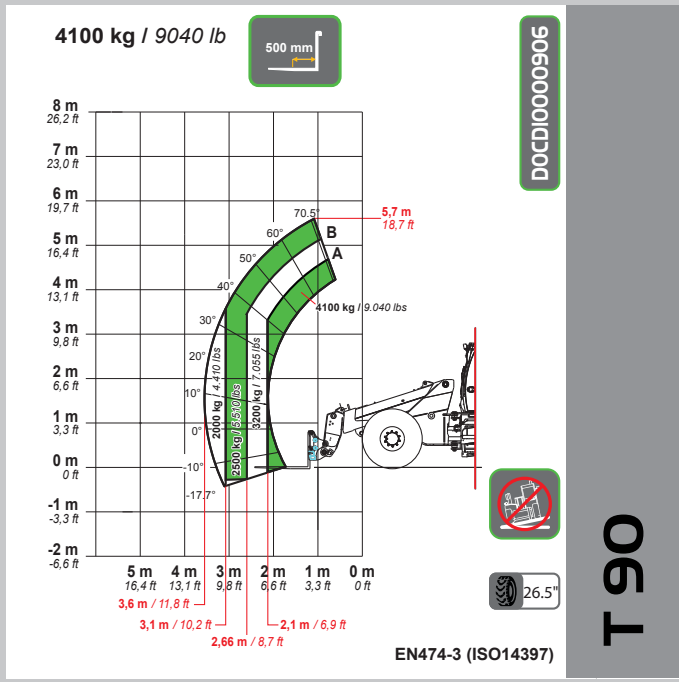
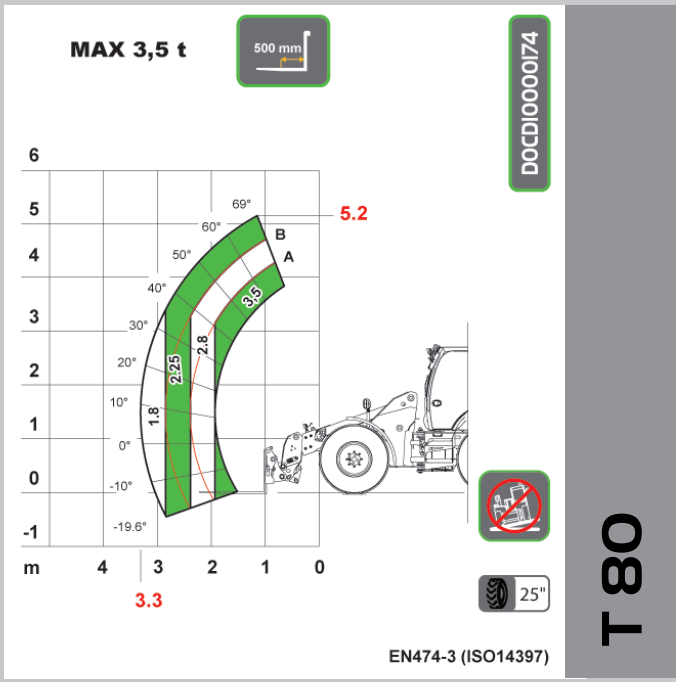
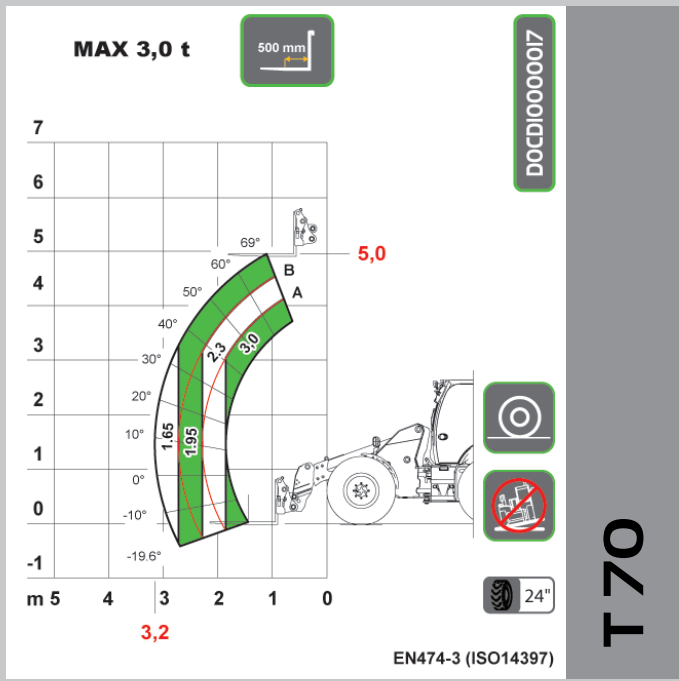
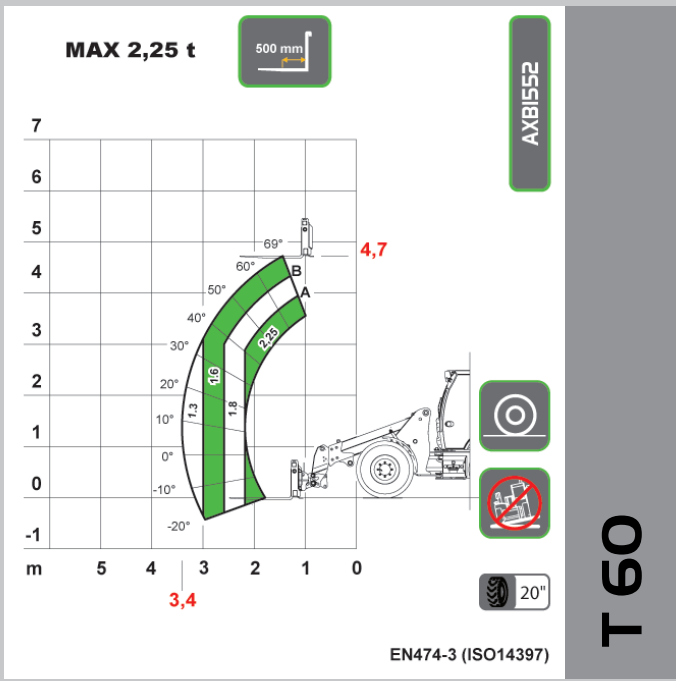
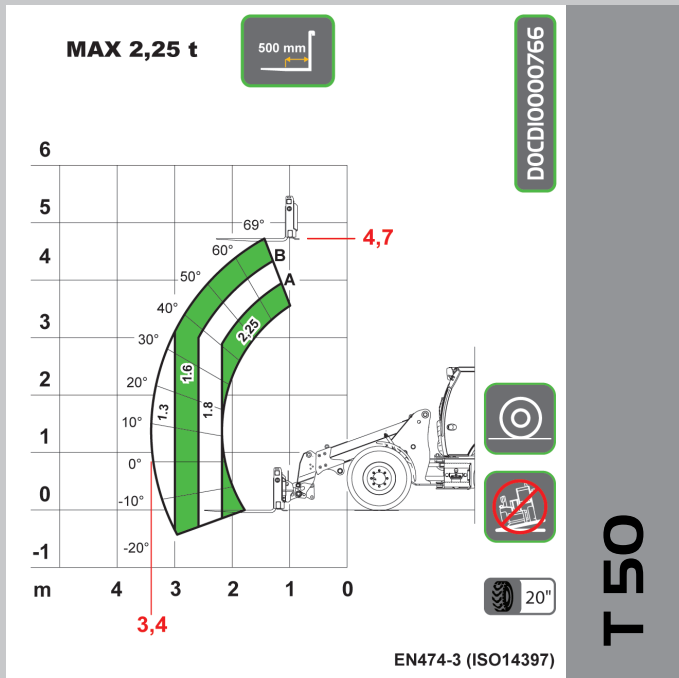
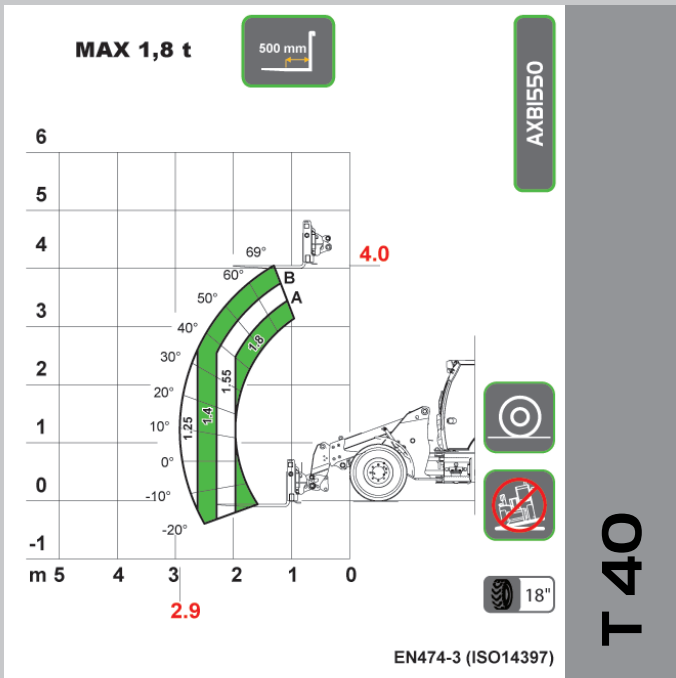
TIRES

Vehicle model	PIVOT T40	PIVOT T50	PIVOT T60	PIVOT T70	PIVOT T80	PIVOT T90
Standard tires	12.5x18"	405/70x20"	405/70x20"	405/70x20"	15.5x25"	600/55-26.5"
Optional tires	365/70R18"; 405/70R18"; 500/45R20"	420/75R20"; 500/45R20"; 600/40R22.5"	420/75R20"; 500/45R20"; 600/40R22.5"	460/70R24"; 600/50x22.5"	460/70R24"; 600/50x22.5"; 500/70x24"	540/70-24; 540/70-24; 600/55-26.5

DIMENSIONS

Vehicle model	PIVOT T40	PIVOT T50	PIVOT T60	PIVOT T70	PIVOT T80	PIVOT T90
A	300 mm (11,8 in)	365 mm (14,4 in)	365 mm (14,4 in)	410 mm (16,1 in)	400 mm (15,7 in)	351 mm (13,8 in)
B	1485 mm (58,5 in)	1750 mm (68,9 in)	1750 mm (68,9 in)	1570 mm (61,8 in)	1670 mm (65,7 in)	1898 mm (74,7 in)
C	2150 mm (84,6 in)	2200 mm (86,6 in)	2200 mm (86,6 in)	2400 mm (94,5 in)	2550 mm (100,4 in)	2800 mm (110,2 in)
C1	5650 mm (222,4 in)	6015 mm (236,8 in)	6015 mm (236,8 in)	6250 mm (246,1 in)	6760 mm (266,1 in)	7423 mm (292,2 in)
D	1485 mm (58,5 in)	1450 mm (57,1 in)	1450 mm (57,1 in)	1550 mm (61 in)	1675 mm (65,9 in)	1739 mm (68,5 in)
E	990 mm (39 in)	1190 mm (46,9 in)	1190 mm (46,9 in)	900 mm (35,4 in)	1030 mm (40,6 in)	1898 mm (74,7 in)
F	4045 mm (159,3 in)	4210 mm (165,7 in)	4210 mm (165,7 in)	4620 mm (181,9 in)	4865 mm (191,5 in)	5207 mm (205 in)
F1	4370 mm (172 in)	4670 mm (183,9 in)	4670 mm (183,9 in)	5000 mm (196,9 in)	5300 mm (208,7 in)	5906 mm (232,5 in)
G	5035 mm (198,2 in)	5400 mm (212,6 in)	5400 mm (212,6 in)	5520 mm (217,3 in)	5895 mm (232,1 in)	6440 mm (253,5 in)
G1	3460 mm (136,2 in)	4155 mm (163,6 in)	4155 mm (163,6 in)	4300 mm (169,3 in)	4400 mm (173,2 in)	4839 mm (190,5 in)
H	2420 mm (95,3 in)	2490 mm (98 in)	2490 mm (98 in)	2690 mm (105,9 in)	2680 mm (105,5 in)	2790 mm (109,8 in)
H1	2100 mm (82,7 in)	2365 mm (93,1 in)	2365 mm (93,1 in)	2300 mm (90,6 in)	2520 mm (99,2 in)	2884 mm (113,5 in)
I1	1700 mm (66,9 in)	2000 mm (78,7 in)	2000 mm (78,7 in)	2100 mm (82,7 in)	2200 mm (86,6 in)	2400 mm (94,5 in)
L	1350 mm (53,1 in)	1430 mm (56,3 in)	1430 mm (56,3 in)	1560 mm (61,4 in)	1790 mm (70,5 in)	1790 mm (70,5 in)
M	1753 mm (69 in)	1880 mm (74 in)	1880 mm (74 in)	2250 mm (88,6 in)	2250 mm (88,6 in)	2400 mm (94,5 in)
P	2120 mm (83,5 in)	2060 mm (81,1 in)	2060 mm (81,1 in)	2400 mm (94,5 in)	2500 mm (98,4 in)	2743 mm (108 in)
Q	3830 mm (150,8 in)	4010 mm (157,9 in)	4010 mm (157,9 in)	4450 mm (175,2 in)	4750 mm (187 in)	5193 mm (204,4 in)
S	1670 mm (65,7 in)	1699 mm (66,9 in)	1699 mm (66,9 in)	1870 mm (73,6 in)	1937 mm (76,3 in)	1990 mm (78,3 in)
T	69 mm (2,7 in)	93 mm (3,7 in)	93 mm (3,7 in)	186 mm (7,3 in)	201 mm (7,9 in)	192 mm (7,6 in)
Z	1962 mm (77,2 in)	1962 mm (77,2 in)	1962 mm (77,2 in)	2056 mm (80,9 in)	2106 mm (82,9 in)	2170 mm (85,4 in)
K01	30°	31°	31°	31°	30°	32°
K02	40°	40°	40°	40°	40°	40°
K04	40°	40°	40°	40°	40°	37°
K05	40°	40°	40°	40°	40°	38°





Dieci Srl - Via E. Majorana, 2-4 - 42027 - Montecchio Emilia (RE) ITALY

Tel. +39 0522 869611 - Fax +39 0522 869798 - E-mail: info@dieci.com - www.dieci.com

DOCCT0000012-UK-01